

CableClams

- Perfect for antenna installation
- Waterproof co-axial installation without removing connectors
- Save the expense of removing and replacing connectors
- Avoid poor connections from removing factory connectors

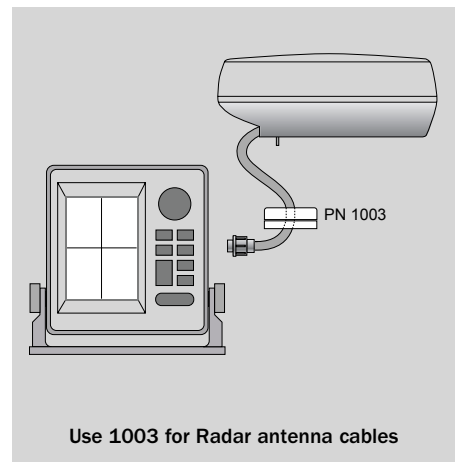
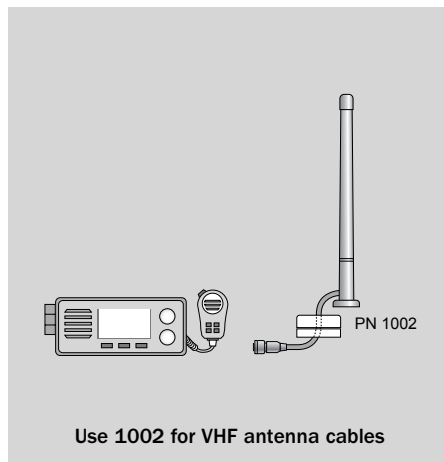
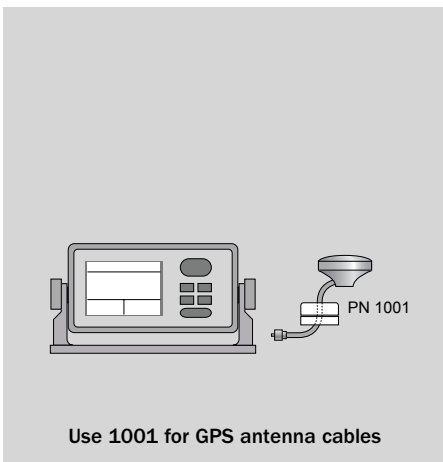
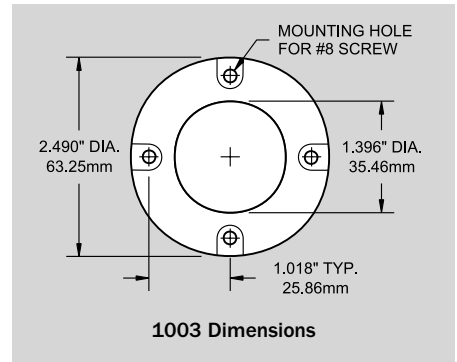
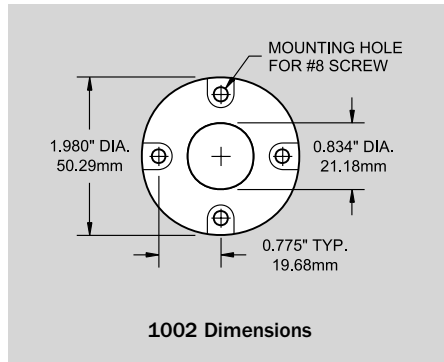
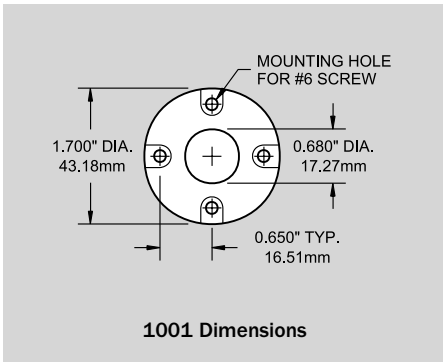
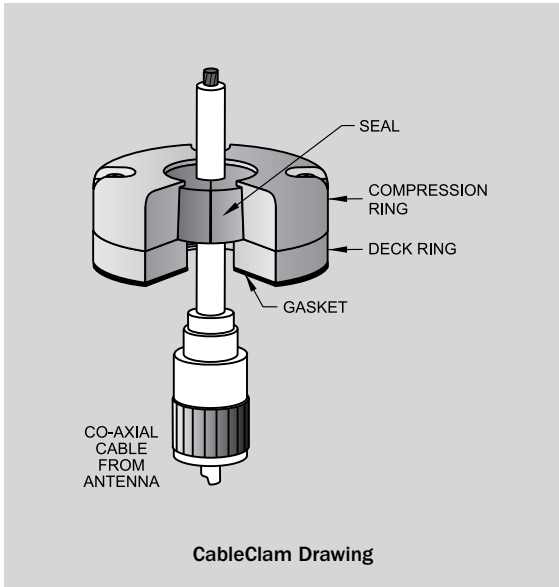
Specifications

Body Material Acetal
 Seal Material UV-Stabilized Buna-N Rubber
 Screws Stainless Steel

| PN | Connector Opening in" (mm) | Weight Lb (Kg) |
|------|----------------------------|----------------|
| 1001 | 0.63 (15.87) | 0.15 (0.07) |
| 1002 | 0.83 (20.95) | 0.19 (0.09) |
| 1003 | 1.39 (35.18) | 0.22 (0.10) |



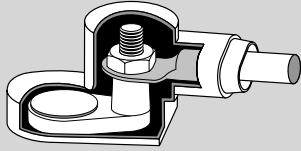
1001-1003



INSULATION AND SAFETY



4001



Rotating CableCaps

- Top rotates 360 degrees to allow cable entry from any angle
- For batteries with integral marine wing nut posts

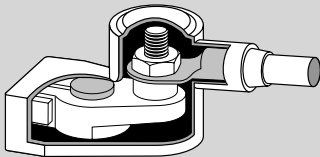
Specifications

Material PVC

| PN | Cable Size | Color | Package | Weight Lb (Kg) |
|------|------------|-----------|-------------|----------------|
| 4001 | All | Red/Black | Retail/Pair | 0.24 (0.11) |
| 9030 | All | Black | Bulk | 0.10 (0.45) |
| 9031 | All | Red | Bulk | 0.10 (0.45) |



4005



Standard CableCaps

- For batteries with marine adaptor terminals added on

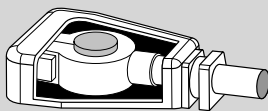
Specifications

Material PVC

| PN | Cable Size | Color | Package | Weight Lb (Kg) |
|------|------------|-----------|-------------|----------------|
| 4005 | 4, 2, 1 | Red/Black | Retail/Pair | 0.17 (0.08) |
| 4006 | 1/0, 2/0 | Red/Black | Retail/Pair | 0.17 (0.08) |
| 9038 | 4, 2, 1 | Black | Bulk | 0.07 (0.03) |
| 9039 | 4, 2, 1 | Red | Bulk | 0.07 (0.03) |
| 9040 | 1/0, 2/0 | Black | Bulk | 0.07 (0.03) |
| 9041 | 1/0, 2/0 | Red | Bulk | 0.07 (0.03) |



4016



Automotive CableCaps

- Designed to fit standard automotive posts

Specifications

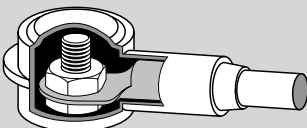
Material PVC

| PN | Cable Size | Color | Package | Weight Lb (Kg) |
|------|------------|-----------|---------|----------------|
| 4016 | 4, 2, 1 | Red/Black | Retail | 0.15 (0.07) |
| 4017 | 1/0, 2/0 | Red/Black | Retail | 0.15 (0.07) |
| 9174 | 4, 2, 1 | Black | Bulk | 0.07 (0.03) |
| 9175 | 4, 2, 1 | Red | Bulk | 0.07 (0.03) |
| 9176 | 1/0, 2/0 | Red | Bulk | 0.07 (0.03) |
| 9177 | 1/0, 2/0 | Black | Bulk | 0.07 (0.03) |



4009

4008



CableCap Stud Insulators

- Insulate stud type connectors on alternators, starters, windlasses and other high amperage devices

Specifications

Material PVC

| PN | Cable Size | Color | Package | Weight Lb (Kg) |
|------|------------|-------|----------|----------------|
| 4008 | 18-10 | Red | Retail/3 | 0.05 (0.02) |
| 4009 | 18-10 | Black | Retail/3 | 0.05 (0.02) |
| 4010 | 8-4 | Red | Retail/2 | 0.05 (0.02) |
| 4011 | 8-4 | Black | Retail/2 | 0.05 (0.02) |
| 4012 | 2-2/0 | Red | Retail/1 | 0.07 (0.03) |
| 4013 | 2-2/0 | Black | Retail/1 | 0.07 (0.03) |
| 4014 | 3/0-4/0 | Red | Retail/1 | 0.07 (0.03) |
| 4015 | 3/0-4/0 | Black | Retail/1 | 0.07 (0.03) |

Battery Boxes

The most advanced design available for Golf Cart, 4-D and 8-D batteries.

- Direct restraint system - the easiest installation of any box
- Straight cable entry path - no awkward bending of heavy cables
- Electrolyte reservoir - the battery is held away from spilled electrolyte
- Captive lid hold-down system - no more lost nuts in the bilge
- When installed according to instructions this battery box satisfies the following:
 - United States Coast Guard Code of Federal Regulations Title 33, Subpart I, Part 183.420
 - American Boat and Yacht Council (ABYC) Standards and Recommended Practices for small craft section E-10.7

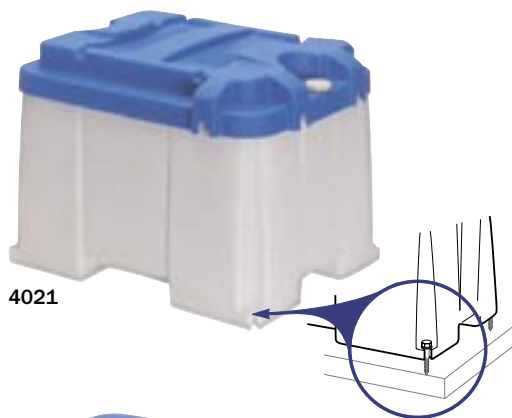
Specifications

Material UV Stabilized Polyethylene



Winner Industrial Design Excellence Award

| PN | Description | Weight Lb (Kg) |
|------|----------------|----------------|
| 4021 | Twin Golf Cart | 10.70 (4.86) |
| 4022 | 4D | 12.50 (5.68) |
| 4023 | 8D | 13.90 (6.32) |



4021



4022



4023

